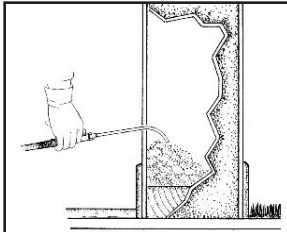




VERSAFOAMER HH SPRAYER USER'S MANUAL

Operation



B&G foam application sprayers are used to apply water-based foam to floor drains, wall voids, and enclosed spaces, inside and outside.

Safety Precautions

- Do not pressurize tank with external air or gas source; do not pressurize above 50 psi.
- Do not adjust the tip while depressing the valve trigger.
- Open tank cap slowly to release air before removing; keep tank upright when releasing pressure.
- Do not store or transport the unit while tank is pressurized.
- Do not inject foam into voids containing electric wires or cables

Before Starting

- Inspect the hose, tank gasket, discharge valves, and nozzle for signs of wear or damage. These parts must be in full working condition to permit tank pressurization.
- Some products will require a foaming agent, add the recommended amount to the liquid before pressurizing the tank.

Operating Instructions

Mixing and Filling

- When mixing insecticides in the tank, first add about 1/2 the water then the chemical, followed by the remainder of the water required.
- Add the foaming agent to the mixed insecticide, use only the recommended amount of foaming agent, usually 1-3 oz per gallon.
- Add only 1 gallon of liquid to tank.
- Replace the pump and tank cap, be sure the tank gasket fits properly; tighten the cap until snug.
- Mix all insecticides according to label directions.

Pressurizing the Tank

- Disengage the handle from locked position by pressing down and turning 1/4 turn to the left.
- Pump plunger 25-30 strokes to pressurize the tank; full pressure is required to produce foam.

Care and Maintenance



- Flush tank, valve, and extension with clean water regularly.
- Do not use bleach or ammonia-based cleaners, these will damage the stainless steel and brass parts.
 - After rinsing the tank with clean water, pressurize the tank and flush the valve and hose.
 - Inspect hoses and hose connections, gaskets, and washers for wear; replace when necessary.
- Foam residue can block the normal operation of the siphon tube and valve, regular cleaning is necessary.
- Do not use metal objects to clean the orifices in the nozzle, this will disrupt the foam spray.
- Unused liquid insecticide (with foaming agent) should not remain in the tank, remove and store or dispose of properly.
- Use the B&G Cleaning Kit (#22028000) for regular maintenance and cleaning of the sprayer

Trouble Shooting

Problem: Tank not holding pressure

Solution:

- Tighten tank cap
- Replace tank gasket (P-268)

Problem: Tank not getting air pressure

Solution:

- Replace plunger cup (NPO-277)
- Replace check valve (PV-266)

Problem: Pump cylinder filling with water when pumping

Solution:

- Clean around the check valve at the bottom of the pump cylinder
- Replace the check valve (PV-266)

Problem: Holds pressure, but will not spray

Solution:

- Nozzle clogged, clean with a soft brush
- Siphon tube clogged, clean end
- Clean strainer at the base of the valve, at the hose/valve junction

Problem: Hose leaks at fitting to the tank

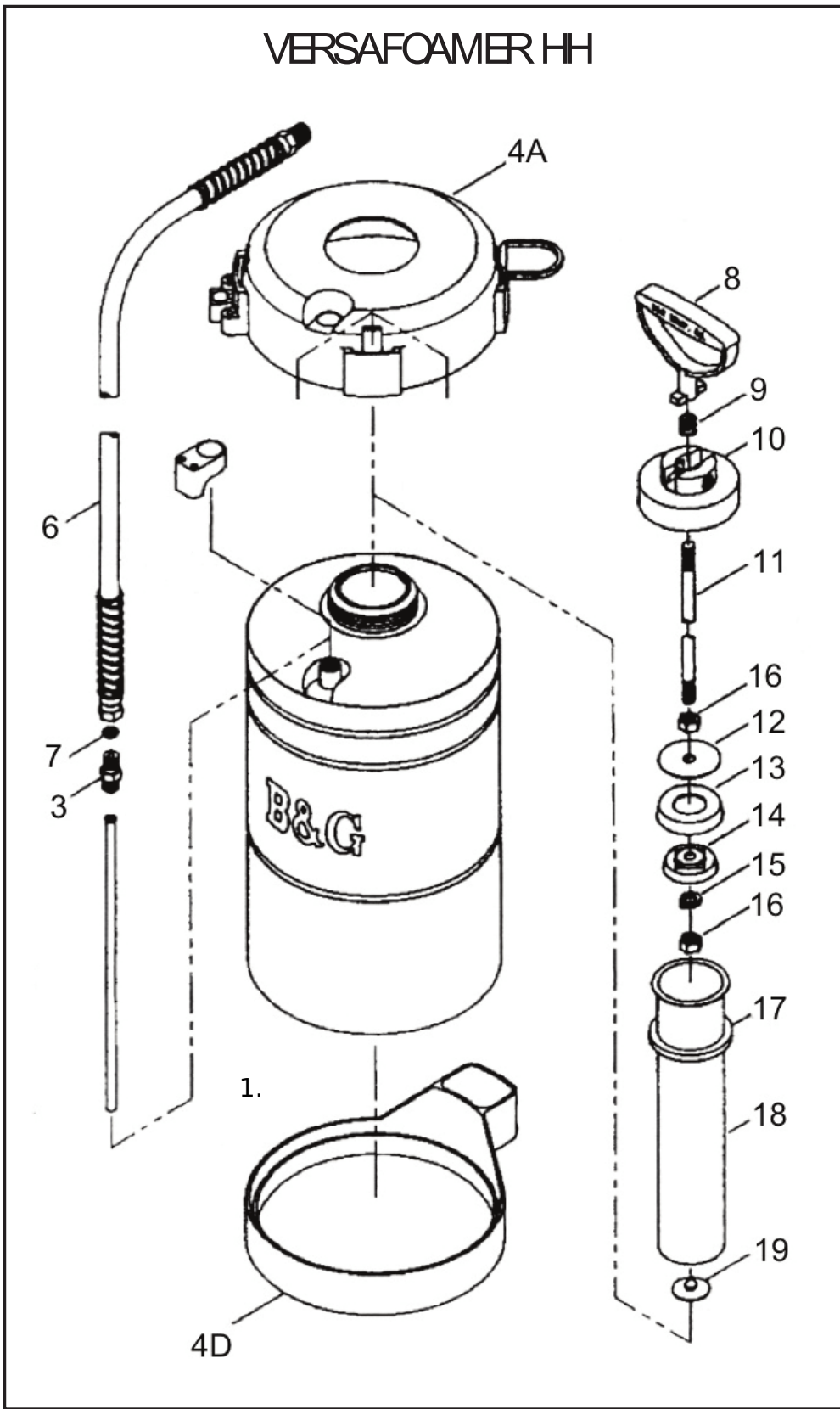
Solution: Replace washer (D-51-P) at base of hose

Problem: No foam produced with the foam tip

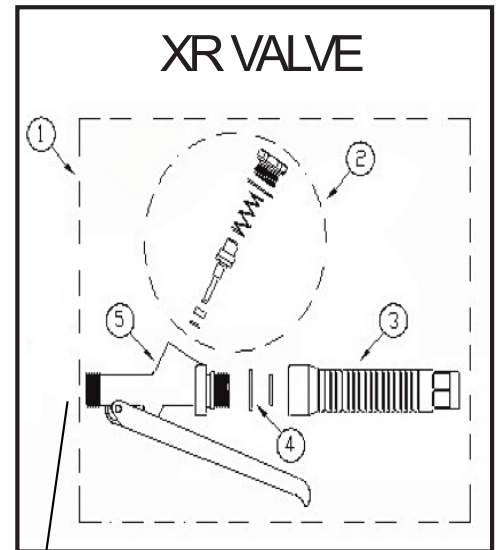
Solution:

- Add sufficient amount of foaming agent to the tank (1-3 oz. per gallon)
- Remove and clean the siphon tube

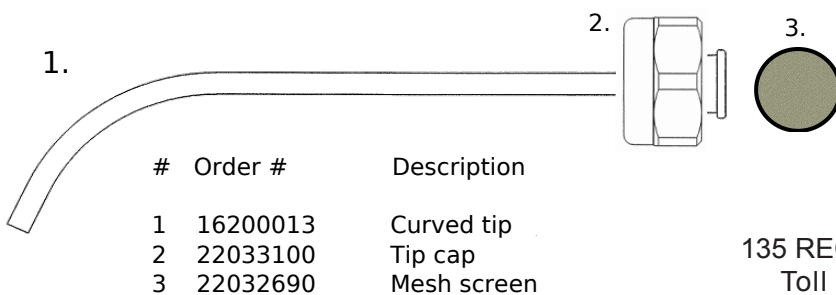
VERSAFOAMER HH



#	Part	Order #	Description
1	T-100	22025002	Tank, 1 gal.
3	HA-298	22025300	Adapter, hose
4A	TT-1	22049474	Tank top
4D	TB-1	22049477	Tank bottom
6	H-71	22030200	Hose, 4 ft.
7	D-51-P	22030400	Hose washer
8	P-275	22029800	Pump handle
9	P-276	22029900	Pump lock spring
10	P-274	22029700	Pump cap
11	PO-273	22029500	Plunger rod
12	P-272	22029200	Back plate
13	NP-277	22029000	Polypropylene cup
14	NP-270	22028600	Cup spreader plate
15	P-269A	22028400	Lock washer
16	P-269-SS	22028250	Plunger nut
17	P-268	22028000	Pump gasket
18	PO-267	22027500	Pump tube
19	PV-266	22027200	Check valve



#	Order#	Description
1	22037500	Valve assembly
2	22037510	XR Valve Kit
3	22037503	Handle
4	22037508	O-ring (Mton)
5	22037501	XR Valve body



#	Order #	Description
1	16200013	Curved tip
2	22033100	Tip cap
3	22032690	Mesh screen



135 REGION SOUTH DRIVE • JACKSON, GA 30233
 Toll Free 800-544-8811 • Phone 678-688-5601
 www.bgequip.com • Fax 678-688-5633