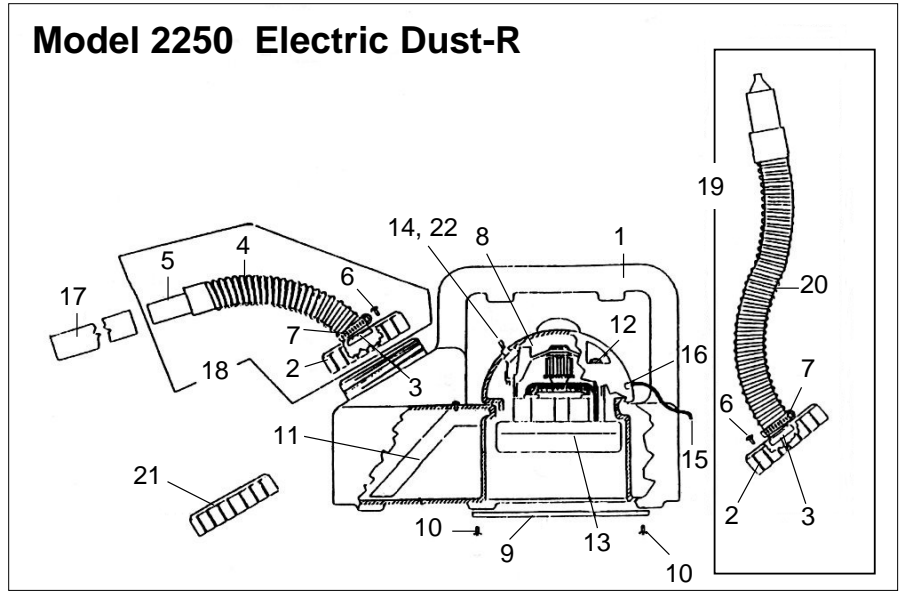


**Model 2250 Electric Dust-R**

#	Part	Description
1	2251	1.5 gallon tan
2	2255	Cap with liner
3	2256	Flange
4	2257	Flex hose
5	2258	Cuff
6	2260	Screw, #6
7	2261	Clamp
8	2252	Cover
9	2305	Motor guard
10	2306	Screw, #8
11	2253	Duct
12	2308	Screw, #10
13	2323	Motor, 110V, 2 stage
14	2311	Switch, 110V
15	2314	Cord, 110V
16	2315	Strain relief
17	2259	Extensions
18	2263	Discharge unit
19	2264	Void treat discharge
20	2265	Void treat hose
21	2262	Cover with liner
22	990	Boot/switch

**Model 2250 Electric Dust-R**



**Multi-Dose Bait Gun**

#	Order #	Description
1	24020129	Screw, self-tapping
2	24020103	Body, gun
3	24020112	Plunger, syringe
4	24020111	Plunger rod
5	24020105	Trigger
6	24020125	Spring, front lock plate
7	24020114	Plate, front lock
8	24020124	Spring, upper rear lock
9	24020115	Plate, rear lock
10	24020152	Screw, #8 32 x 1/8"
11	24020107	Knob, rod release
12	24020147	Screw, #8 32 x 1/8"
13	24020127	Spring, lower rear lock
14	24020121	Screw, dose adjusting
15	24020116	Dose adj. knob assembly
16	24020126	Spring, dose adj. knob
17	24020122	Nut, modified
18	24020128	Screw
19	24020113	Knob, plunger
20	24020146	Washer, wavy spring
21		Label
22	24020119	Label, dose adjusting
23	24020153	Body and pin assembly

**Multi-Dose Bait Gun**

